

JOUDEER PRECISION



聚胺酯相关部品

PRESSURE SOURCE COMPONENTS

| | | | | | |
|---|---|--|--|--|--|
| <p>聚胺酯相关部品</p> <p>1083</p> <p>JD 优德精密</p> | <p>JPSEA</p>  <p>1085</p> <p>聚胺酯缓冲垫</p> | <p>JSRX</p>  <p>1086</p> <p>聚胺酯弹簧</p> | <p>JUSZL/JUSZLK</p>  <p>1087</p> <p>聚胺酯弹簧</p> | <p>JUSA/JUSAT</p>  <p>1088</p> <p>聚胺酯弹簧</p> | <p>JUSX/JUSXT</p>  <p>1089</p> <p>聚胺酯弹簧</p> |
| <p>JSORTA</p>  <p>1090</p> <p>螺丝衬套</p> | <p>JUSBSB/JUSBSC</p>  <p>1091</p> <p>聚胺酯吸震组件</p> | <p>JUSBSA</p>  <p>1093</p> <p>聚胺酯吸震组件</p> | | | |

Code No.
JPSEA

| M 材质 | H 硬度 |
|-----------|------|
| 黑色聚胺酯(标准) | A90 |
| 2A12(指定) | |

| 型号 | D | H | L | L1 | r | 适用侧销尺寸 |
|-------|----|----|----|----|----|----------|
| JPSEA | 40 | 32 | 60 | 45 | 18 | 32 |
| | 50 | 40 | 80 | 60 | 23 | 40 |
| | 63 | 51 | 80 | 60 | 35 | 50、56、63 |

| Code | D | 材质 |
|-------------------|---|--------|
| JPSEA - 40 | | (标准材质) |
| JPSEA - 40 - 2A12 | | (指定材质) |

Code No.
JSRX


| M 材质 | H 硬度 |
|-------|------|
| 黑色聚胺酯 | A69 |

| 型号 | D | L | S=L×35% | | | B | W | d |
|------|-----|-----|---------|-------|-----|-----|------|----|
| | | | S | F(KN) | V | | | |
| JSRX | 40 | 30 | 10.5 | 3.2 | 52 | 60 | ≥62 | 14 |
| | | 40 | 14.0 | | | | | |
| | | 50 | 17.5 | | | | | |
| | | 63 | 22.0 | | | | | |
| | | 80 | 28.0 | | | | | |
| 50 | 50 | 50 | 17.5 | 5.5 | 65 | 70 | ≥75 | 14 |
| | | 63 | 22.0 | | | | | |
| | | 80 | 28.0 | | | | | |
| 63 | 63 | 63 | 22.0 | 10 | 81 | 85 | ≥91 | 14 |
| | | 80 | 28.0 | | | | | |
| | | 100 | 35.0 | | | | | |
| 80 | 80 | 80 | 28.0 | 15 | 103 | 110 | ≥113 | 22 |
| | | 100 | 35.0 | | | | | |
| | | 125 | 44.0 | | | | | |
| | | 140 | 49.0 | | | | | |
| 100 | 100 | 100 | 35.0 | 24.5 | 129 | 130 | ≥139 | 22 |
| | | 125 | 44.0 | | | | | |
| | | 140 | 49.0 | | | | | |
| | | 160 | 56.0 | | | | | |

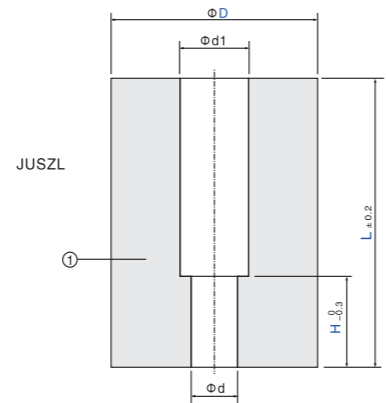
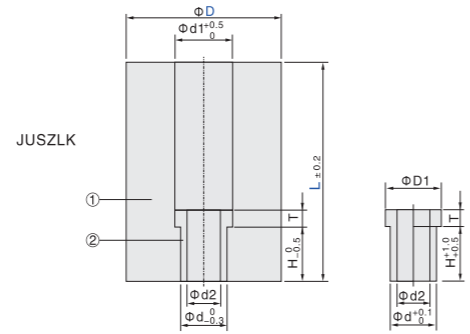
| Code | D | L |
|----------------|---|---|
| JSRX - 50 - 80 | | |

Code No.

JUSZL
JUSZLK



| M 材质 | H 硬度 |
|-------|------|
| 黑色聚胺酯 | A90 |


| 型号 | D | L | H | d | d1 | 适用螺丝 |
|-------|----|--------|-----------|--------|----|------|
| JUSZL | 30 | 20~100 | 5 < H < L | 9 | 14 | M8 |
| | 40 | 25~150 | | | | |
| | 50 | | | | | |
| | 60 | | | | | |
| | 70 | | | 25~200 | | |
| | 80 | | | | | |
| | 90 | | | | | |
| 100 | | | | | | |

| 型号 | D | L | H | d | d1 | d2 | D1 | T | 适用螺丝 | | | | | | |
|--------|----|--------|----|----|----|----|------|---|------|----|----|----|----|---|-----|
| JUSZLK | 40 | 30~150 | 12 | 15 | 20 | 11 | 19.5 | 5 | M10 | | | | | | |
| | 50 | | | | | | | | | | | | | | |
| | 60 | 35~150 | | | | | | | | | | | | | |
| | 70 | | | | | | | | | | | | | | |
| | 80 | 35~200 | 20 | | | | | | | 18 | 22 | 13 | 22 | 6 | M12 |
| | 90 | | | | | | | | | | | | | | |
| 100 | | | | | | | | | | | | | | | |

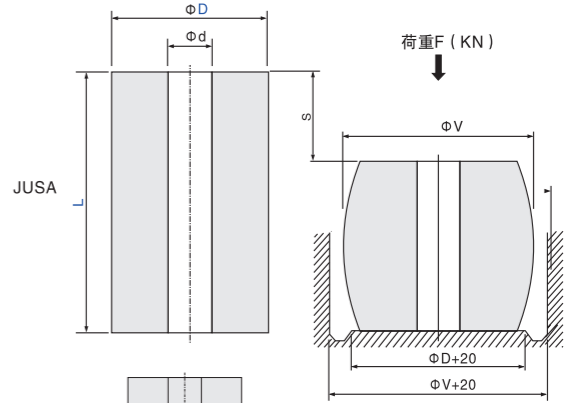
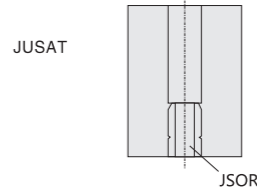
| Code | D | L | H |
|----------|----|----|----|
| JUSZL - | 40 | 50 | 20 |
| JUSZLK - | 70 | 85 | |

Code No.

JUSA
JUSAT



| M 材质 | H 硬度 |
|-------|------|
| 黑色聚胺酯 | A90 |





JSORTA尺寸见P1090

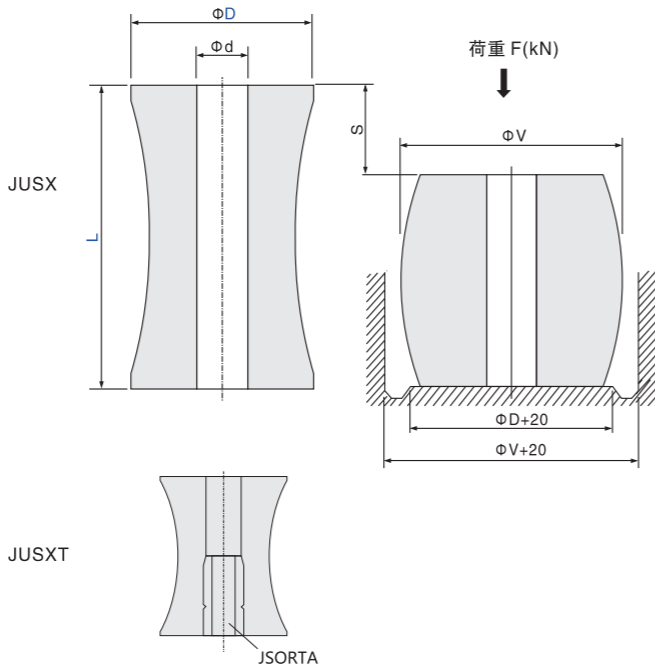
| 型号 | D | L | S=L×15% | | S=L×25% | | d |
|------|-----|------|---------|-------|---------|-------|----|
| | | | S | F(KN) | S | F(KN) | |
| JUSA | 30 | 30 | 4.5 | 2.6 | 7.5 | 3.6 | 36 |
| | | 40 | 6.0 | | 10.0 | | |
| | | 50 | 7.5 | | 12.5 | | |
| | 40 | 40 | 6.0 | 4.6 | 10.0 | 6.4 | 48 |
| | | 50 | 7.5 | | 12.5 | | |
| | | 60 | 9.0 | | 15.0 | | |
| | 50 | 60 | 9.0 | 8.0 | 15.0 | 11 | 59 |
| | | 80 | 12.0 | | 20.0 | | |
| | | 110 | 16.5 | | 27.5 | | |
| | 60 | 50 | 7.5 | 13.0 | 12.5 | 18 | 72 |
| | | 60 | 9.0 | | 15.0 | | |
| | | 80 | 12.0 | | 20.0 | | |
| 70 | 110 | 16.5 | 18.0 | 27.5 | 24 | 82 | |
| | 140 | 21.0 | | 35.0 | | | |
| | 170 | 25.5 | | 42.5 | | | |
| 80 | 60 | 9.0 | 22.0 | 15.0 | 30 | 96 | |
| | 80 | 12.0 | | 20.0 | | | |
| | 100 | 15.0 | | 25.0 | | | |
| 90 | 110 | 16.5 | 28.0 | 27.5 | 38 | 107 | |
| | 140 | 21.0 | | 35.0 | | | |
| | 170 | 25.5 | | 42.5 | | | |
| 100 | 80 | 12.5 | 37.0 | 20.0 | 51 | 120 | |
| | 100 | 15.0 | | 25.0 | | | |
| | 120 | 18.0 | | 30.0 | | | |
| 110 | 140 | 21.0 | 46.0 | 35.0 | 62 | 130 | |
| | 140 | 21.0 | | 35.0 | | | |
| | 200 | 30.0 | | 50.0 | | | |

| Code | D | L |
|---------|----|----|
| JUSA - | 50 | 80 |
| JUSAT - | 50 | 80 |

Code No.
JUSX
JUSXT



| M 材质 | H 硬度 |
|-------|------|
| 黑色聚胺酯 | A90 |

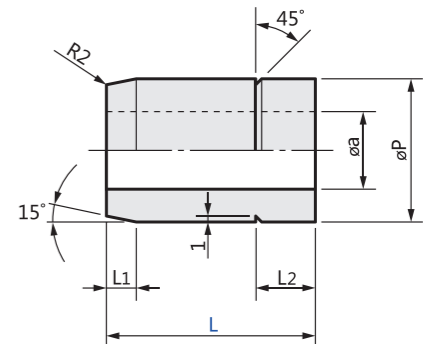


JUSXT尺寸见P1090

| 型号 | D | L(实际L) | S=L×20% | | S=L×25% | | S=L×30% | | d | |
|-------|-----|-----------|---------|-------|---------|-------|---------|-------|-----|----|
| | | | S | F(KN) | S | F(KN) | S | F(KN) | | V |
| JUSX | 50 | 60 (62) | 12.4 | 7.5 | 15.5 | 9.4 | 18.6 | 13 | 57 | 14 |
| | | 80 (82) | 16.4 | 6.5 | 20.5 | 8.8 | 24.6 | 13 | 58 | |
| JUSXT | 60 | 60 (62) | 12.4 | 10.0 | 15.5 | 13.5 | 18.6 | 20 | 70 | 20 |
| | | 80 (82) | 16.4 | 10.0 | 20.5 | 13.4 | 24.6 | 18 | 92 | |
| | | 100 (103) | 20.6 | 20.0 | 25.8 | 28.0 | 30.9 | 42 | 114 | |
| JUSXT | 100 | 80 (82) | 16.4 | 31.0 | 20.5 | 42.0 | 24.6 | 63 | 114 | 20 |
| | | 100 (103) | 20.6 | 30.0 | 25.8 | 42.0 | 30.9 | 60 | 114 | |
| | | 120 (123) | 24.6 | 27.0 | 30.8 | 37.0 | 36.9 | 57 | 114 | |

| Code | D | L |
|----------------|----|----|
| JUSX - 60 - 80 | 60 | 80 |

Code No.
JSORTA




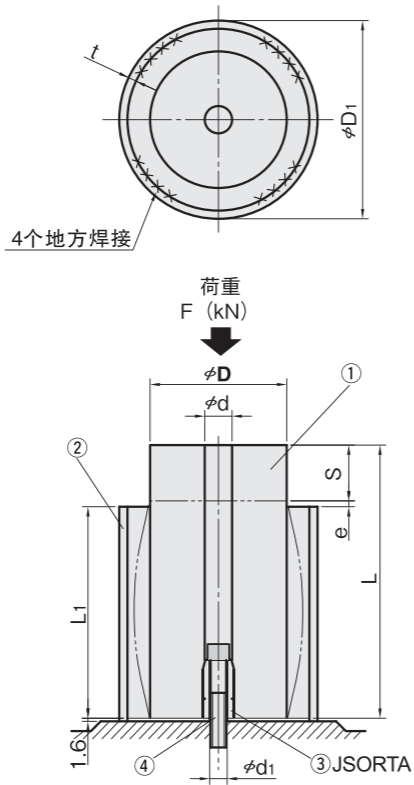
| M 材质 |
|------|
| S45C |

| 型号 | 聚胺酯内孔 d | L | P | a | L1 | L2 | 适用聚胺酯 | |
|--------|------------|----|----|----|----|----|-------|--------|
| | | | | | | | 外径 | 长度 |
| JSORTA | 14 | 10 | 16 | 9 | 2 | 3 | 30·40 | 40及以下 |
| | | 20 | | | | | 30~60 | 50,60 |
| | | 30 | | | | | 40~60 | 80及以上 |
| | | 5 | | | | | 60~ | 60~120 |
| JSORTA | 22 | 35 | 24 | 13 | 5 | 10 | 70~ | 60~200 |

| Code | d | L |
|------------------|----|----|
| JSORTA - 14 - 20 | 14 | 20 |

Code No. **JUSBSB**
JUSBSC

● 聚胺酯吸震组件 (①, ②, ③, ④)

4个地方焊接

荷重 F (kN)

* 螺丝衬套安装在聚胺酯上

| 型号 | D | 颜色 | ①聚胺酯吸震块 | | | | e | ②行程挡管 | | | | ③ 螺丝衬套 | ④ 螺丝 |
|-----------------|-----|---------------------------|---------|-----|----|-------|---|-------|----|-----|-----|-----------|---------|
| | | | D | L | d | S | | D1 | L1 | d1 | t | | |
| JUSBSB JUSPB | 50 | R (红) · Y (黄) | 50 | 110 | 14 | 22 | 3 | 76.3 | 85 | 9 | 2.8 | JSORTA14 | M8×45 |
| | 70 | | 70 | | | 89.1 | | | | | | | |
| | 90 | | 140 | 22 | 28 | 114.3 | | 109 | 13 | 3.2 | | | |
| | 100 | | 100 | | | 139.8 | | | | 3.6 | | | |

| 型号 | D | 颜色 | ①聚胺酯吸震块 | | | | e | ②行程挡管 | | | | ③ 螺丝衬套 | ④ 螺丝 |
|-----------------|-----|---------------------------|---------|-----|----|-------|---|-------|----|-----|-----|-----------|---------|
| | | | D | L | d | S | | D1 | L1 | d1 | t | | |
| JUSBSC JUSPC | 50 | R (红) · Y (黄) | 50 | 110 | 14 | 22 | 2 | 89.1 | 85 | 9 | 4.2 | JSORTA14 | M8×45 |
| | 70 | | 70 | | | 101.6 | | | | | | | |
| | 90 | | 140 | 22 | 28 | 139.8 | | 110 | 13 | 4.5 | | | |
| | 100 | | 100 | | | 152.5 | | | | 5.0 | | | |

| Code | D | 颜色 |
|--------|----|----|
| JUSBSC | 90 | R |
| JUSPC | 70 | Y |

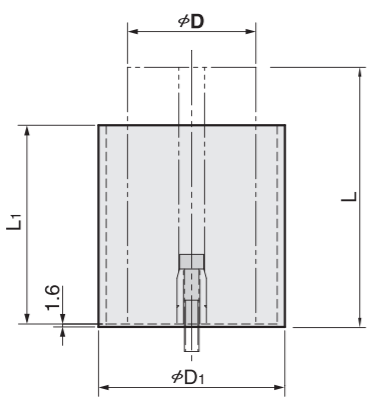
● 聚胺酯吸震块 (①·③)

| 型号 | D | L | d |
|-------|-----|-----|----|
| JUSAT | 50 | 110 | 14 |
| | 70 | | |
| | 90 | 140 | 22 |
| | 100 | | |

| Code | D | L |
|-------|----|-----|
| JUSAT | 70 | 140 |

Code No. **JUSPB**
JUSPC

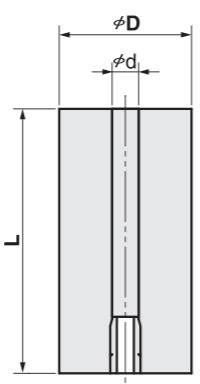
● 行程挡管 (②)



材质 SGP

JUSAT

● 聚胺酯吸震块 (①, ③, 无螺丝)



材质 黑色聚胺酯


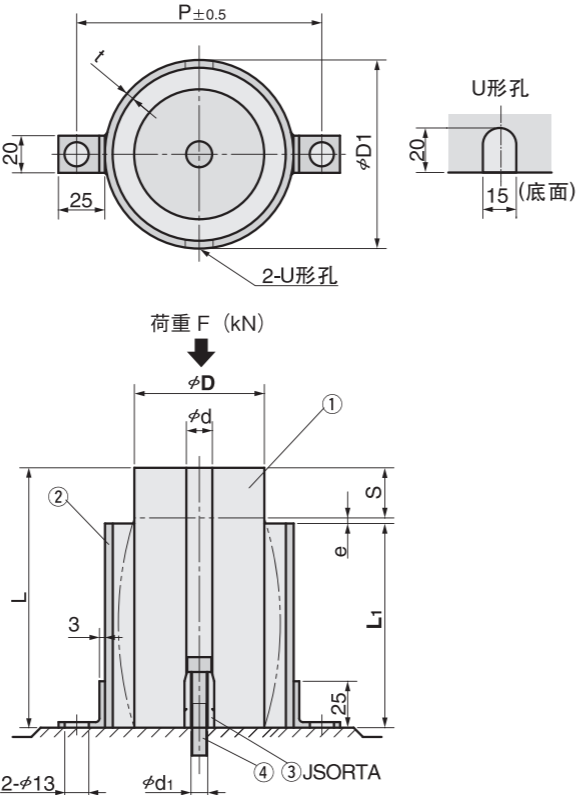
硬度 A90

聚胺酯
相关部品

聚胺酯
相关部品

Code No. **JUSBSA**

● 聚胺酯吸震组件 (①, ②, ③, ④)

荷重 F (kN)

* 螺丝衬套安装在聚胺酯上

| 型号 | D | L1 | 颜色 | ①聚胺酯吸震块 | | | | ②行程挡管 | | | | ③ | ④ | | |
|-----------------|-----|-----|----------------|---------|-----|-------|-----|------------------|-----|-------|-----|-----|-----|----------|--------|
| | | | | D | L | d | S | S=L×20% F(KN) | e | D1 | L1 | P | t | 螺丝衬套 | 螺丝 |
| JUSBSA JUSPA | 40 | 60 | R (红) Y (黄) | 40 | 80 | 14 | 16 | 5.5 | 4 | 60.5 | 60 | 91 | 3.8 | JSORTA14 | M8×45 |
| | 50 | 85 | | 50 | 110 | 22 | 22 | 8.5 | 3 | 89.1 | 85 | 119 | 4.2 | | |
| | 70 | 90 | | 70 | 140 | 22 | 28 | 21.0 | 22 | 101.6 | 90 | 132 | 4.5 | JSORTA22 | M12×55 |
| | 100 | 110 | | 12 | | | | | 110 | | | | | | |
| | 90 | 90 | | 22 | | | | | 90 | | | | | | |
| | 90 | 100 | | 33.0 | 12 | 139.8 | 100 | 170 | 4.5 | 2 | 110 | | | | |

| Code | D | L1 | 颜色 |
|----------|----|-----|----|
| JUSBSA - | 70 | 100 | Y |
| JUSPA - | 70 | 100 | R |

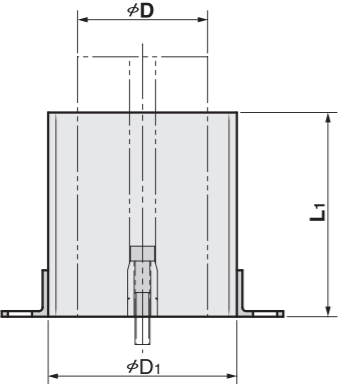
● 聚胺酯吸震块 (①·③)

| 型号 | D | L | d |
|-------|----|-----|----|
| JUSAT | 40 | 80 | 14 |
| | 50 | 110 | |
| | 70 | 140 | 22 |
| | 90 | | |

| Code | D | L |
|---------|----|-----|
| JUSAT - | 70 | 140 |

Code No. **JUSPA**

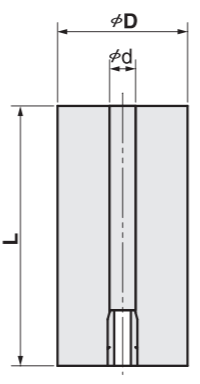
● 行程挡管 (②)



材质 SGP

Code No. **JUSAT**

● 聚胺酯吸震块 (①, ③, 无螺丝)



材质 黑色聚胺酯

硬度 A90