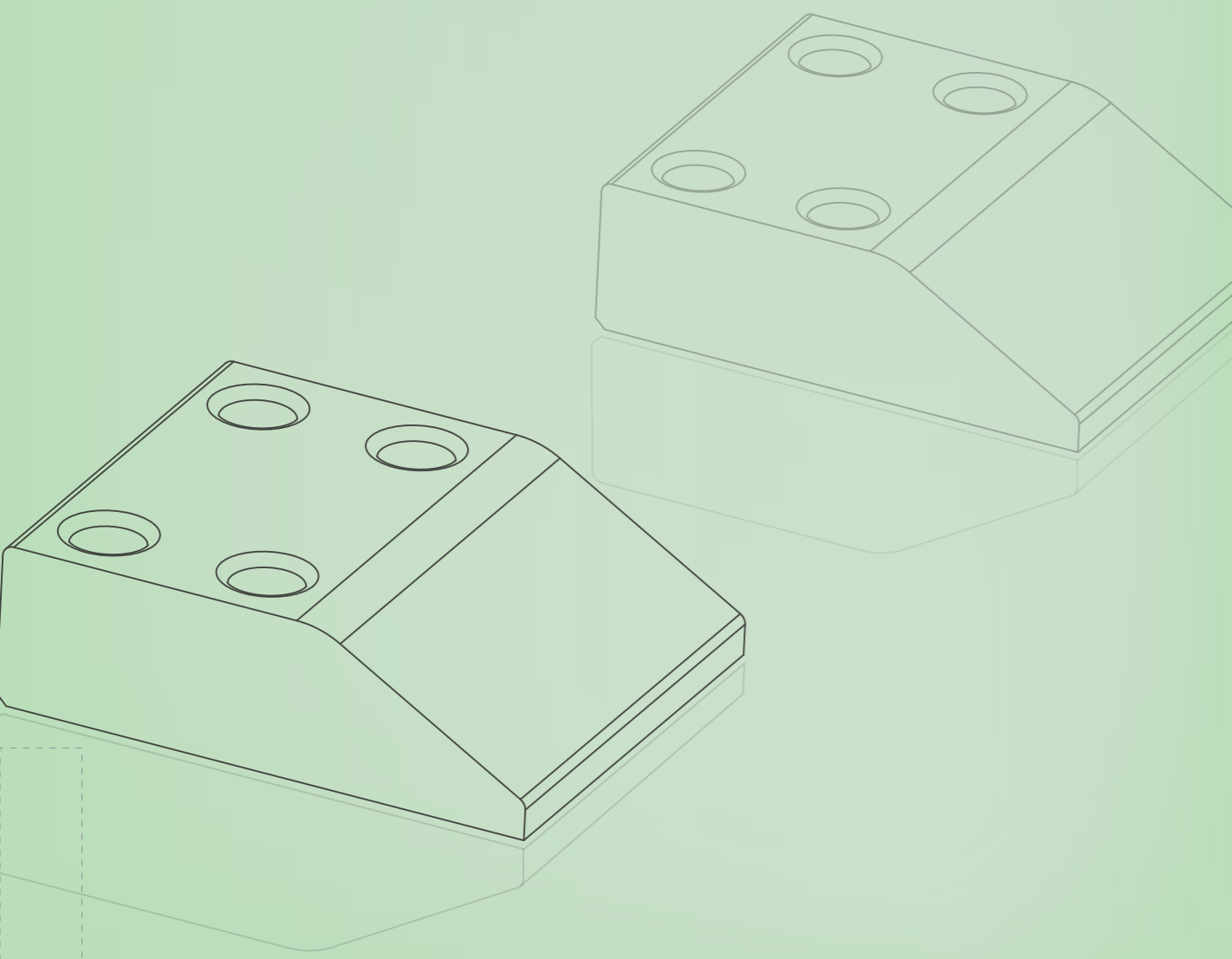


JOUJDER PRECISION



VDI部品 VDI STANDARD

 1123 优德精密 JOUJDER PRECISION	 GPEUR GPHEUR 1125 导柱 DIN9833	 GPBEUR 1127 导柱 VDI3356	 GPDEUR 1128 导柱 VDI3356	 GBEUR 1129 自润滑导套 DIN9834	 GCEUR 1130 压块 DIN9832
 GSPEUR 1131 自润滑外导板 VDI3387	 SWEUR 1133 自润滑耐磨板 VDI3357-20mm厚	 SFEUR 1135 自润滑耐磨板 VDI3357-20mm厚-钢型	 TWEUR 1137 自润滑耐磨板 VDI3357-12mm厚	 TSEUR 1139 自润滑耐磨板 VDI3357-12mm厚-钢型	 CMWEUR 1141 斜模上压板 VDI3357
 CMSEUR 1143 斜模上压板 VDI3357-自润滑钢型	 CMTEUR 1145 斜模上压板 VDI3357 - 钢型	 CSLEUR 1147 斜模侧压板 VDI3357	 CBVEUR 1149 斜模凹V型导板 VDI3357	 CBUEUR 1150 斜模凸V型导板 VDI3357	 CGLEUR 1151 斜模侧导向压板 VDI3357
 CRWEUR 1153 斜模驱动导板 VDI3357	 CRSEUR 1154 斜模驱动导板 VDI3357-钢型				

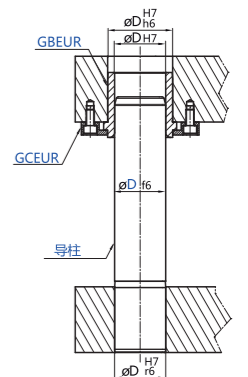
Code No. **GPEUR**

M 材质 GCr15
H 硬度 HRC60~64 深1.5mm
//部高频淬火


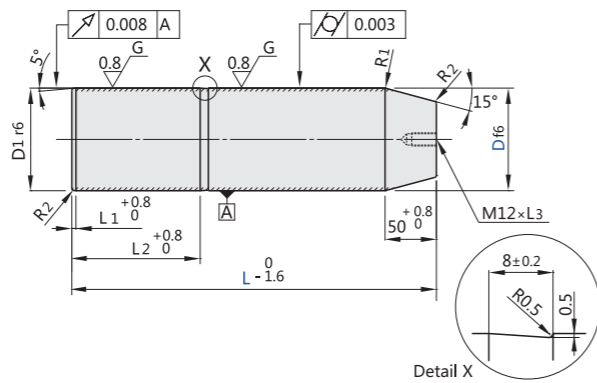
型号	D	L	Df6	D1r6	L1	L2	L3	R1	R2	DIN Code		
GPEUR	25	125	25	-0.020 -0.033	25	+0.041 +0.028	8	4	40	3	2	DIN9833-D25 × 125 × 8
		140										DIN9833-D25 × 140 × 8
		160										DIN9833-D25 × 160 × 8
		180										DIN9833-D25 × 180 × 8
		200										DIN9833-D25 × 200 × 8
		224										DIN9833-D25 × 224 × 8
	32	140	32	-0.025 -0.041	32	+0.050 +0.034	8	4	45	3	2	DIN9833-D32 × 140 × 8
		160										DIN9833-D32 × 160 × 8
		180										DIN9833-D32 × 180 × 8
		200										DIN9833-D32 × 200 × 8
		224										DIN9833-D32 × 224 × 8
		250										DIN9833-D32 × 250 × 8
	40	140	40	-0.025 -0.041	40	+0.050 +0.034	8	4	56	3	2	DIN9833-D40 × 140 × 8
		160										DIN9833-D40 × 160 × 8
		180										DIN9833-D40 × 180 × 8
		200										DIN9833-D40 × 200 × 8
		224										DIN9833-D40 × 224 × 8
		250										DIN9833-D40 × 250 × 8
	50	160	50	-0.025 -0.041	50	+0.050 +0.034	10	4	70	5	2.5	DIN9833-D50 × 160 × 10
		180										DIN9833-D50 × 180 × 10
		200										DIN9833-D50 × 200 × 10
		224										DIN9833-D50 × 224 × 10
		250										DIN9833-D50 × 250 × 10
		280										DIN9833-D50 × 280 × 10
63	180	63	-0.030 -0.049	63	+0.060 +0.041	10	4	80	6	2.5	DIN9833-D63 × 180 × 10	
	200										DIN9833-D63 × 200 × 10	
	224										DIN9833-D63 × 224 × 10	
	250										DIN9833-D63 × 250 × 10	
	280										DIN9833-D63 × 280 × 10	
	315										DIN9833-D63 × 315 × 10	
	355										DIN9833-D63 × 355 × 10	
	400										DIN9833-D63 × 400 × 10	

型号	D	L	Df6	D1r6	L1	L2	L3	R1	R2	D2	D3	DIN Code		
GPEUR	80	200	80	-0.030 -0.049	80	+0.062 +0.043	10	4	100	8	3	—	DIN9833-D80 × 200 × 10	
		224											DIN9833-D80 × 224 × 10	
		250											DIN9833-D80 × 250 × 10	
		280											DIN9833-D80 × 280 × 10	
		315											DIN9833-D80 × 315 × 10	
		355											DIN9833-D80 × 355 × 10	
	100	224	100	-0.036 -0.058	100	+0.073 +0.051	10	4	125	10	3	—	DIN9833-D100 × 224 × 10	
		250											DIN9833-D100 × 250 × 10	
		280											DIN9833-D100 × 280 × 10	
		315											DIN9833-D100 × 315 × 10	
		355											DIN9833-D100 × 355 × 10	
		400											DIN9833-D100 × 400 × 10	
GPHEUR	80	200	80	-0.030 -0.049	80	+0.062 +0.043	10	4	100	8	3	40	58	DIN9833-D80 × 200 × 10H
		224												DIN9833-D80 × 224 × 10H
		250												DIN9833-D80 × 250 × 10H
		280												DIN9833-D80 × 280 × 10H
		315												DIN9833-D80 × 315 × 10H
		355												DIN9833-D80 × 355 × 10H
	100	224	100	-0.036 -0.058	100	+0.073 +0.051	10	4	125	10	3	50	72	DIN9833-D100 × 224 × 10H
		250												DIN9833-D100 × 250 × 10H
		280												DIN9833-D100 × 280 × 10H
		315												DIN9833-D100 × 315 × 10H
		355												DIN9833-D100 × 355 × 10H
		400												DIN9833-D100 × 400 × 10H
125	315	125	-0.043 -0.068	125	+0.088 +0.063	12	5	140	12	4	65	90	DIN9833-D125 × 315 × 12H	
	355												DIN9833-D125 × 355 × 12H	
	400												DIN9833-D125 × 400 × 12H	
	450												DIN9833-D125 × 450 × 12H	
	500												DIN9833-D125 × 500 × 12H	
	560												DIN9833-D125 × 560 × 12H	

Code	D	L
GPHEUR -	125	400


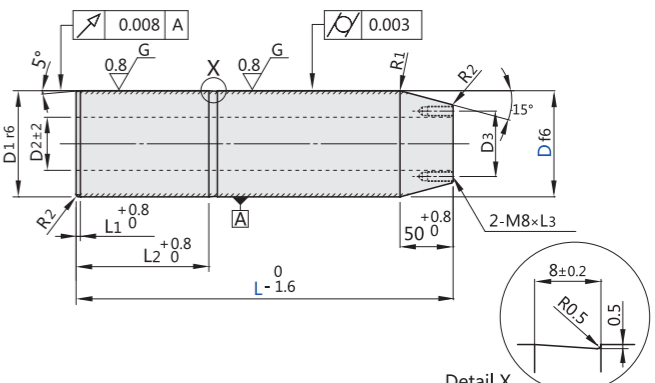


Code No.
GPBEUR

材质	硬度
GCr15	HRC60~64 深1.5mm ///高频淬火

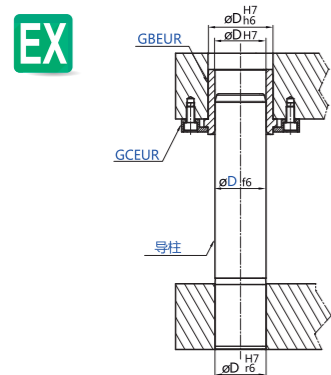
Code No.
GPDEUR

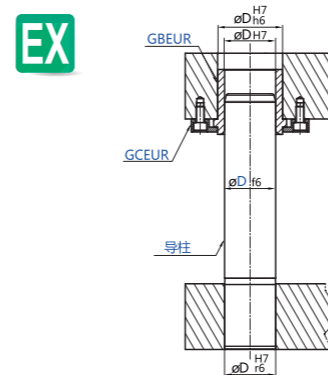
材质	硬度
GCr15	HRC60~64 深1.5mm ///高频淬火

型号	D	L	Df6	D1r6	L1	L2	L3	R1	R2	VDI Code		
GPBEUR	80	315	80	-0.030 -0.049	80	+0.062 +0.043	4	100	24	8	3	80×315 - VDI3356
		355										80×355 - VDI3356
		400										80×400 - VDI3356
		450										80×450 - VDI3356
GPBEUR	100	355	100	-0.036 -0.058	100	+0.076 +0.054	4	125	24	10	3	100×355 - VDI3356
		400										100×400 - VDI3356
		450										100×450 - VDI3356

型号	D	L	Df6	D1r6	D2	D3	L1	L2	L3	R1	R2	VDI Code		
GPDEUR	100	355	100	-0.036 -0.058	100	+0.076 +0.054	50	62	4	125	24	10	3	100/50×355 - VDI3356
		400												100/50×400 - VDI3356
		450												100/50×450 - VDI3356
		500												100/50×500 - VDI3356
GPDEUR	125	400	125	-0.043 -0.068	125	+0.088 +0.063	65	82	5	140	30	12	4	125/65×400 - VDI3356
		450												125/65×450 - VDI3356
		500												125/65×500 - VDI3356
		560												125/65×560 - VDI3356
GPDEUR	160	500	160	-0.043 -0.068	160	+0.090 +0.065	95	119	5	180	30	18	4	160/95×500 - VDI3356
		560												160/95×560 - VDI3356




Code	D	L
GPBEUR -	100	400

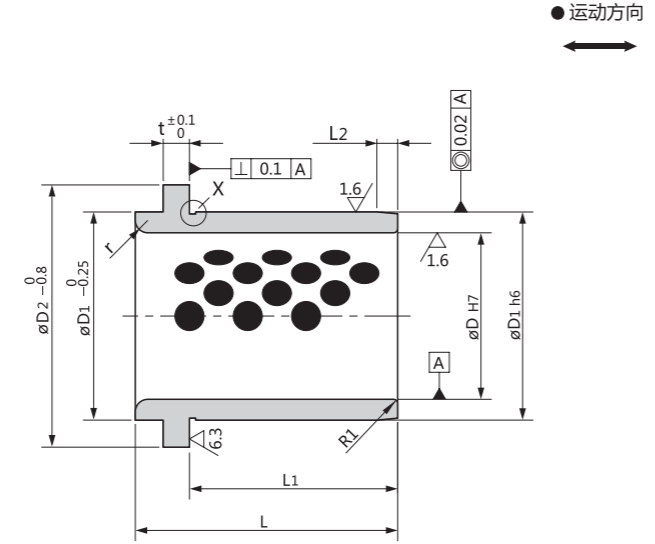


Code	D	L
GPDEUR -	125	400

Code No.
GBEUR

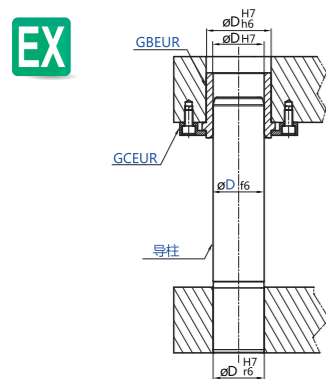


M 材质
铜合金+石墨



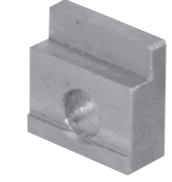
●运动方向
↔

型号	D	H7	D1	h6	L	D2	L1	L2	t	r	X(DIN 509)	DIN Code
GBEUR	25	+0.021 0	32	0 -0.016	40	40	30	3	6.3	3	F0.6×0.3	DIN9834-25
	32	+0.025 0	40	0 -0.019	50	50	40	4				DIN9834-32
	40		63		63	50	5	DIN9834-40				
	50	63	71	71	56	6.3	DIN9834-50					
	63	+0.030 0	80	0 -0.022	80	90	63	8	10	10	F1.0×0.4	DIN9834-63
	80		100		100	112	80	10				DIN9834-80
	100		125		125	140	106	12.5				DIN9834-100
	125		160		160	180	132	16				DIN9834-125
160	+0.040 0	200	0 -0.029	200	220	170	16	18	DIN9834-160			

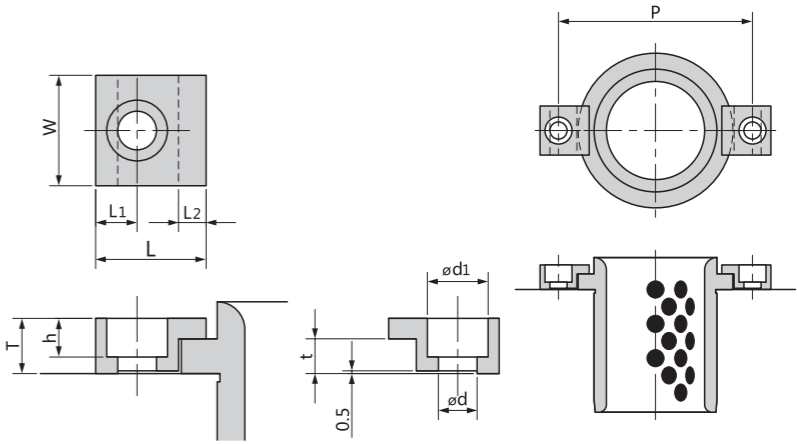


Code	D
GBEUR -	50

Code No.
GCEUR

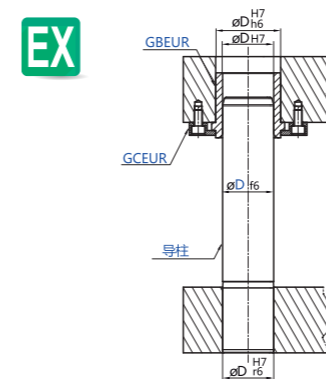


M 材质
S45C



●运动方向
↔

型号	t	D	W	L	T	L1	L2	d	d1	h	P	DIN code
GCEUR	6.3	25	20	20	10	7.5	5	7	11	7	58	DIN9832-6.3
		32									66	
		40									79	
		50									89	
		63									123	
10	63	32	32	16	11	10	11.5	17.5	11.5	143	DIN9832-10	
	80									168		
	100									203		
	125									243		
	160									243		



Code	t
GCEUR -	6.3

Code No.

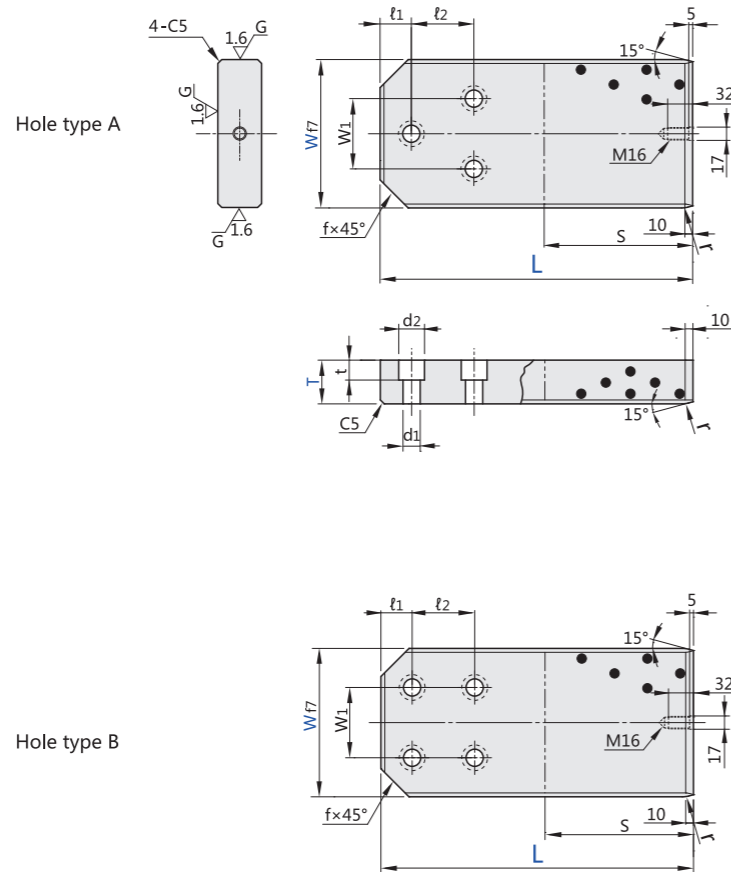
GSPEUR



● 运动方向

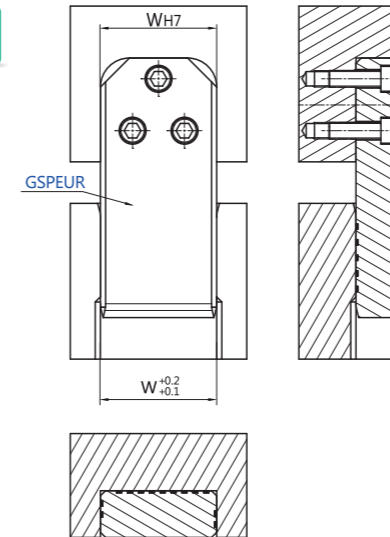


材质	硬度
S45C+石墨	HRC55~深1mm S部高频淬火




型号	W	L	T	Wf7	d1	d2	w1	S	f	l1	l2	t	r	Hole type	VDI Code
GSPEUR	112	250	45	112 -0.036 -0.071	18	26	50	90	28	20	50	21	25	A	VDI3387-112×45×250
	140	315		140 -0.043 -0.083	22	33	90	105	36	40	80	25.5	31.5	B	VDI3387-140×45×315
	140	400	56	190	26	40	160	320	36	40	80	30.5	31.5		VDI3387-140×45×400
	190	400									80				VDI3387-140×56×400
	240	500	160	-0.050 -0.096	26	40	160	320	36	40	160	30.5	31.5		VDI3387-190×56×400
	240	630	240	160							VDI3387-240×56×500				
											160				VDI3387-240×56×630

EX




Code	W	L	T
GSPEUR -	140	- 315	- 45

Code No.
SWEUR

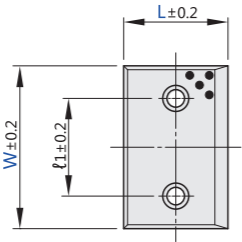


材质
铜合金+石墨

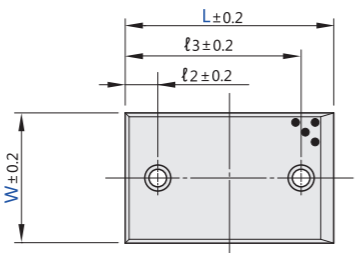
●运动方向



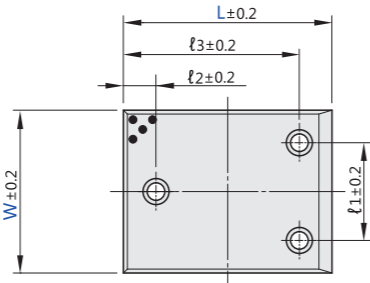
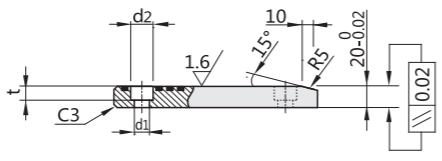
Hole type A



Hole type B




Hole type C

型号	W	L	l ₁	l ₂	l ₃	d ₁	d ₂	t	Hole type	VDI Code			
SWEUR	50	80	—	25	55	13.5	20	13	B	VDI3357- A - 102			
		100			75					VDI3357- A - 103			
		125			100					VDI3357- A - 104			
		160			135					VDI3357- A - 105			
		200			175					VDI3357- A - 106			
	80	50	30	—	—	9	15	9	A	VDI3357- A - 111			
		80	—	25	55	13.5	20	13	B	VDI3357- A - 112			
		100			75					VDI3357- A - 113			
		125			100					VDI3357- A - 114			
		160			135					VDI3357- A - 115			
	200	175	VDI3357- A - 116										
	100	50	50	—	—	13.5	20	13	A	VDI3357- A - 121			
80		—	25	75	13.5					20	13	B	VDI3357- A - 122
100				100									VDI3357- A - 123
125				135									VDI3357- A - 124
160				175									VDI3357- A - 125
200	—	—	—	—	—	—	—	VDI3357- A - 126					
125	50	75	—	25	55	13.5	20	13	A	VDI3357- A - 131			
	80				75					VDI3357- A - 132			
	100				100					VDI3357- A - 133			
	125				135					VDI3357- A - 134			
	160				175					VDI3357- A - 135			
160	50	110	—	25	55	13.5	20	13	A	VDI3357- A - 136			
	80				75					VDI3357- A - 137			
	100				100					VDI3357- A - 138			
	125				135					VDI3357- A - 139			
	160				175					VDI3357- A - 140			
160	50	110	—	25	55	13.5	20	13	C	VDI3357- A - 141			
	80				75					VDI3357- A - 142			
	100				100					VDI3357- A - 143			
	125				135					VDI3357- A - 144			
	160				175					VDI3357- A - 145			
200	—	—	—	—	—	—	—	VDI3357- A - 146					

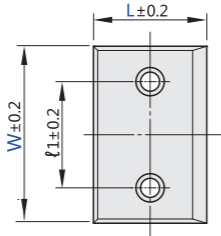
Code	W	L
SWEUR -	50 -	160

Code No.
SFEUR

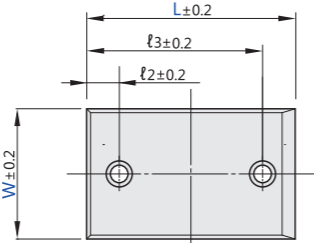


材质 GCr15 **硬度** HRC60~64 深1mm
///部高频淬火

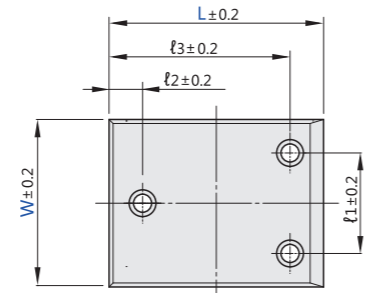
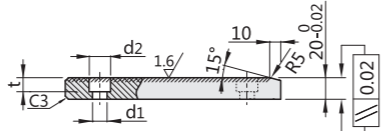
Hole type A



Hole type B




Hole type C

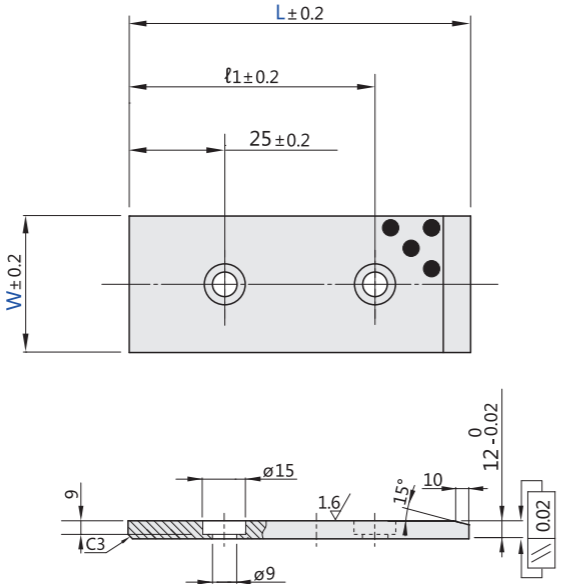
型号	W	L	l ₁	l ₂	l ₃	d ₁	d ₂	t	Hole type	VDI Code					
SFEUR	50	80	—	25	55	13.5	20	9	B	VDI3357- A- 152					
		100			75					VDI3357- A- 153					
		125			100					VDI3357- A- 154					
		160			135					VDI3357- A- 155					
		200			175					VDI3357- A- 156					
	80	50	30	—	—	9	15	9	A	VDI3357- A- 161					
		80	—	25	55	13.5	20	13	B	VDI3357- A- 162					
		100			75					VDI3357- A- 163					
		125			100					VDI3357- A- 164					
		160			135					VDI3357- A- 165					
	200	175			VDI3357- A- 166										
	100	50	50	—	—	13.5	20	13	A	VDI3357- A- 171					
		80	—	25	75					VDI3357- A- 172					
		100			100					VDI3357- A- 173					
		125			135					VDI3357- A- 174					
		160			175					VDI3357- A- 175					
	200	—			—	—	VDI3357- A- 176								
	125	50	75	—	25	13.5	20	13	A	VDI3357- A- 181					
		80								75	100	135	175	C	VDI3357- A- 182
		100													VDI3357- A- 183
125		VDI3357- A- 184													
160		VDI3357- A- 185													
200	VDI3357- A- 186														
160	50	110	—	25	13.5	20	13	A	VDI3357- A- 191						
	80								75	100	135	175	C	VDI3357- A- 192	
	100													VDI3357- A- 193	
	125													VDI3357- A- 194	
	160													VDI3357- A- 195	
200	VDI3357- A- 196														

Code	W	L
SFEUR -	50	125

Code No.
TWEUR

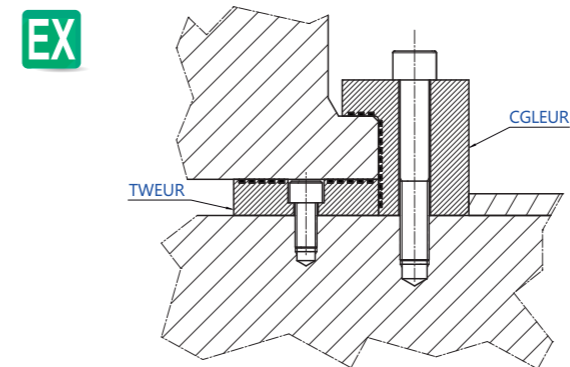



● 运动方向
↑ ↓



M 材质
铜合金+石墨

型号	W	L	l ₁	VDI Code
TWEUR	30	80	55	VDI3357-B-202
		100	75	VDI3357-B-203
		125	100	VDI3357-B-204
		160	135	VDI3357-B-205
	40	200	175	VDI3357-B-206
		80	55	VDI3357-B-212
		100	75	VDI3357-B-213
		125	100	VDI3357-B-214
	50	160	135	VDI3357-B-215
		200	175	VDI3357-B-216
		80	55	VDI3357-B-222
		100	75	VDI3357-B-223
60	125	100	VDI3357-B-224	
	160	135	VDI3357-B-225	
	200	175	VDI3357-B-226	
	80	55	VDI3357-B-232	
80	100	75	VDI3357-B-233	
	125	100	VDI3357-B-234	
	160	135	VDI3357-B-235	
	200	175	VDI3357-B-236	
TWEUR	80	80	55	VDI3357-B-242
		100	75	VDI3357-B-243
		125	100	VDI3357-B-244
		160	135	VDI3357-B-245
		200	175	VDI3357-B-246






Code	W	L
TWEUR -	40	160

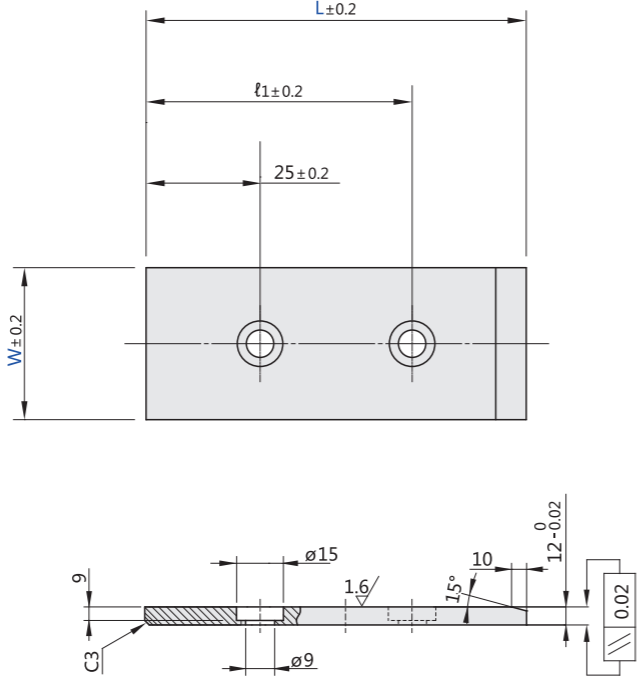
自润滑耐磨板

VDI3357 - 12mm厚 - 钢型

Code No.
TSEUR




材质	硬度
GCr15	HRC60~64 深1mm 表面高频淬火



型号	W	L	l ₁	VDI Code
TSEUR	30	80	55	VDI3357-B-252
		100	75	VDI3357-B-253
		125	100	VDI3357-B-254
		160	135	VDI3357-B-255
		200	175	VDI3357-B-256
	40	80	55	VDI3357-B-262
		100	75	VDI3357-B-263
		125	100	VDI3357-B-264
		160	135	VDI3357-B-265
		200	175	VDI3357-B-266
	50	80	55	VDI3357-B-272
		100	75	VDI3357-B-273
		125	100	VDI3357-B-274
		160	135	VDI3357-B-275
		200	175	VDI3357-B-276
	60	80	55	VDI3357-B-282
		100	75	VDI3357-B-283
		125	100	VDI3357-B-284
		160	135	VDI3357-B-285
		200	175	VDI3357-B-286
80	80	55	VDI3357-B-292	
	100	75	VDI3357-B-293	
	125	100	VDI3357-B-294	
	160	135	VDI3357-B-295	
	200	175	VDI3357-B-296	

Code	W	L
TSEUR -	50	160

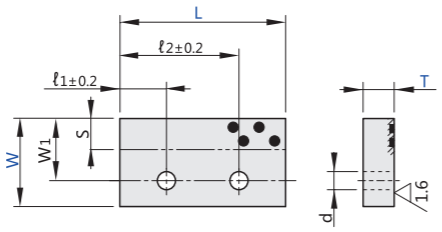
Code No.
CMWEUR



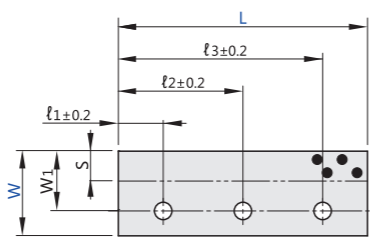
材质
铜合金+石墨

运动方向

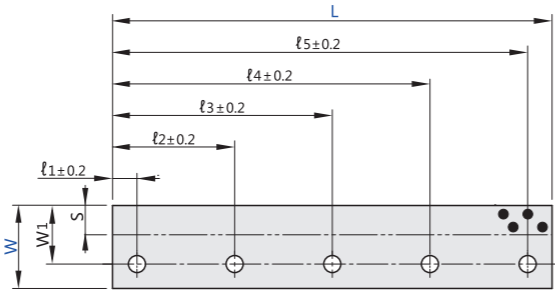
Hole type A



Hole type B



Hole type C




型号	W	L	T	W ₁	l ₁	l ₂	l ₃	l ₄	l ₅	S	d	Hole type	VDI Code
35	160	10	20	45	45	115	—	—	—	10	11	A	VDI3357-E-501
	200	10			45	155	—					B	VDI3357-E-502
	250	10			45	125	205					B	VDI3357-E-503
45	160	15	30	45	115	—	—	—	15	13.5	A	VDI3357-E-505	
	200	15			45	155					—	B	VDI3357-E-506
	250	15			45	125					205	B	VDI3357-E-507
55	160	15	35	45	115	—	—	—	20	17.5	A	VDI3357-E-511	
	200	15			45	155					—	B	VDI3357-E-512
	250	15			45	125					205	B	VDI3357-E-513
75	160	25	40	45	115	—	—	—	25	17.5	A	VDI3357-E-521	
	200	25			45	155					—	B	VDI3357-E-522
	250	25			45	125					205	B	VDI3357-E-523
100	160	25	60	45	115	—	—	—	30	17.5	A	VDI3357-E-531	
	200	25			45	155					—	B	VDI3357-E-532
	250	25			45	125					205	C	VDI3357-E-533
	400	25	45	125	200	275	355	C	VDI3357-E-534				
	160	30	60	45	115	—	—	—	22	17.5	A	VDI3357-E-541	
	200	30			45	155					—	B	VDI3357-E-542
	250	30			45	125					205	B	VDI3357-E-543
	400	30	45	125	200	275	355	C	VDI3357-E-544				



Code	W	L	T
CMWEUR -	35	160	10

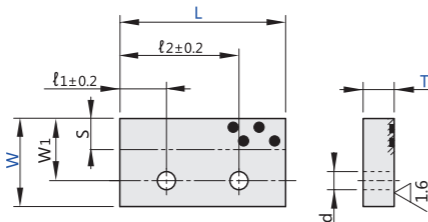
Code No.
CMSEUR



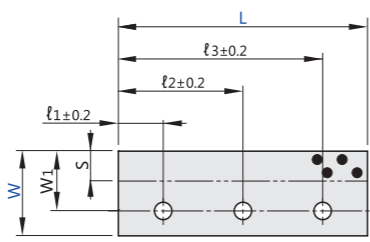
● 运动方向
↔

M 材质
S45C+石墨

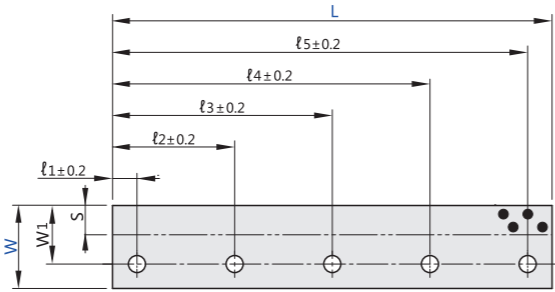
Hole type A



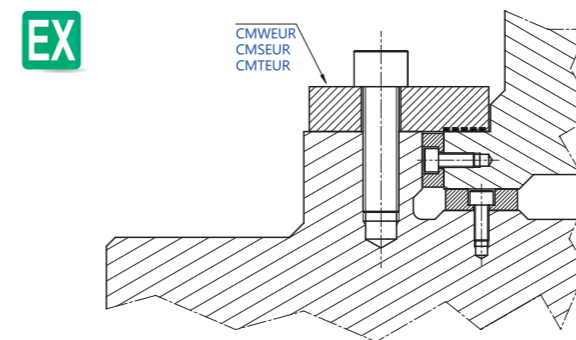
Hole type B



Hole type C




型号	W	L	T	W ₁	l ₁	l ₂	l ₃	l ₄	l ₅	S	d	Hole type	VDI Code
35	160	10	20	45	45	115	—	—	—	10	11	A	VDI3357-E-551
	200	10			45	155						B	VDI3357-E-552
	250	10			45	125						205	B
45	160	15	30	45	115	—	—	—	15	13.5	A	VDI3357-E-555	
	200	15			45						155	B	VDI3357-E-556
	250	15			45						125	205	B
55	160	15	35	45	115	—	—	—	20	17.5	A	VDI3357-E-561	
	200	15			45						155	B	VDI3357-E-562
	250	15			45						125	205	B
75	160	25	40	45	115	—	—	—	25	17.5	A	VDI3357-E-571	
	200	25			45						155	B	VDI3357-E-572
	250	25			45						125	205	B
100	160	25	60	45	115	—	—	—	30	17.5	A	VDI3357-E-581	
	200	25			45						155	B	VDI3357-E-582
	250	25			45						125	205	C
	400	25	45	125	200	275	355	C	VDI3357-E-584				
	160	30	60	45	115	—	—	—	22	17.5	A	VDI3357-E-591	
	200	30			45						155	B	VDI3357-E-592
	250	30			45						125	205	C
	400	30	45	125	200	275	355	C	VDI3357-E-594				



Code	W	L	T
CMSEUR -	35	160	10

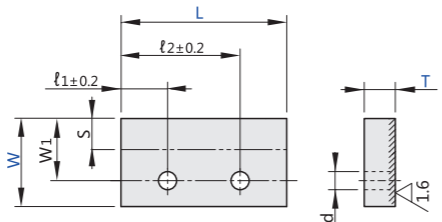
Code No.
CMTEUR



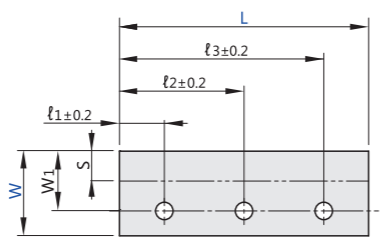
材质	硬度
GCr15	HRC60-64 表面高频淬火

● 运动方向
↔

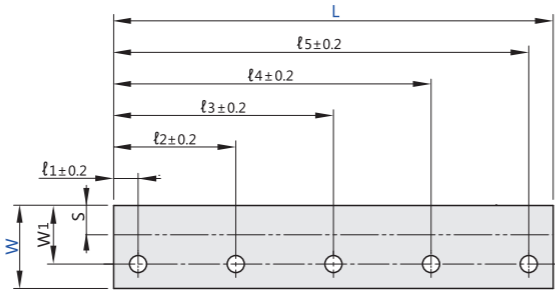
Hole type A



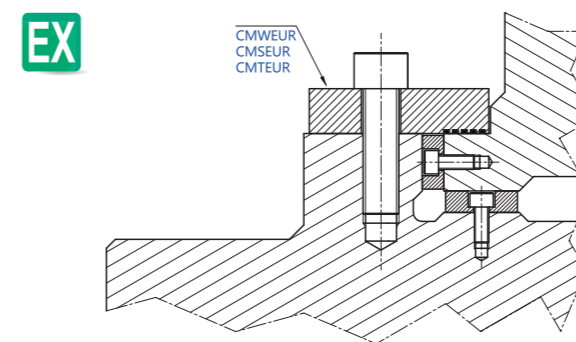
Hole type B



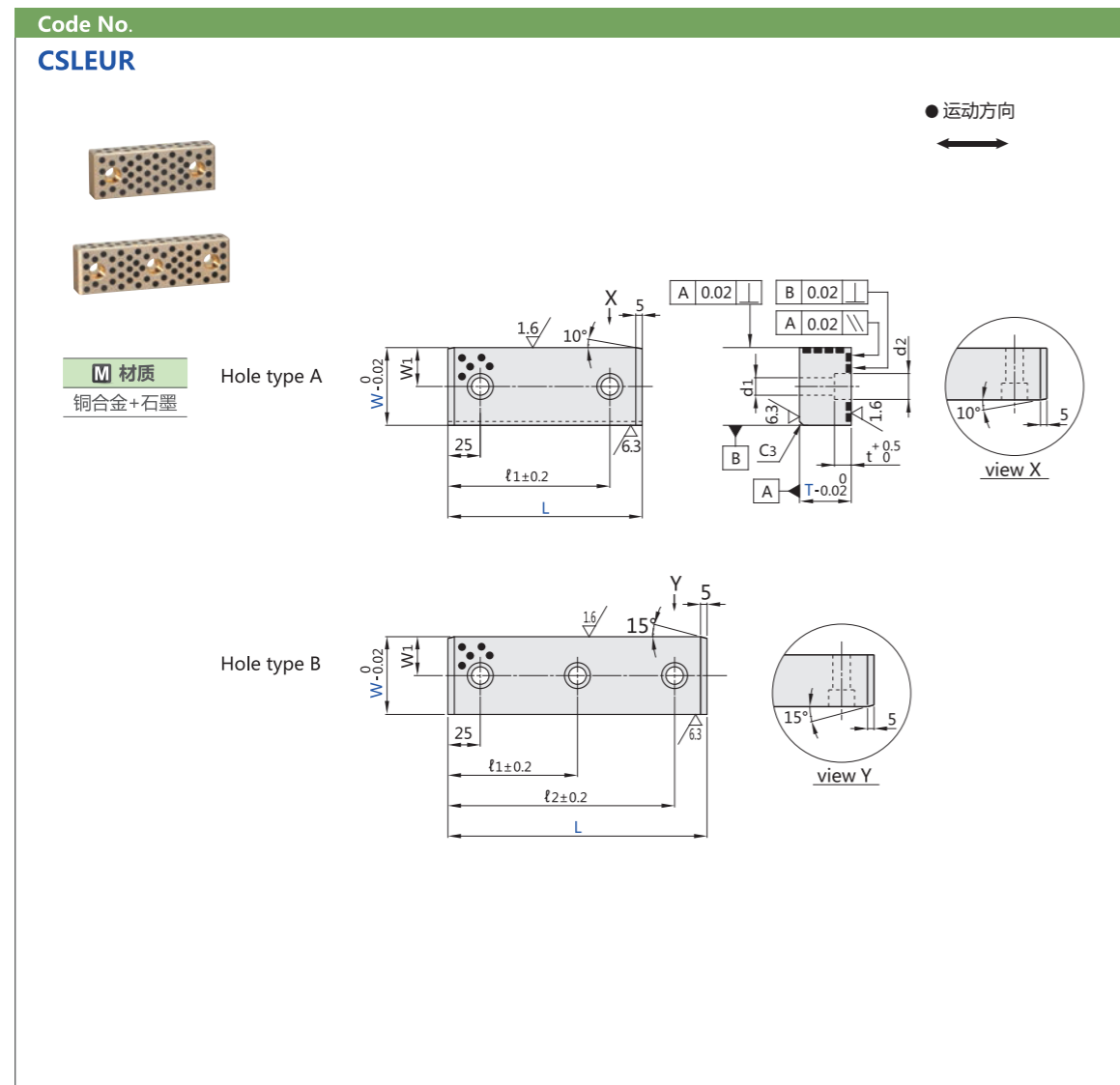
Hole type C



型号	W	L	T	W ₁	l ₁	l ₂	l ₃	l ₄	l ₅	S	d	Hole type	VDI Code
35	160	10	20	45	45	115	—	—	—	10	11	A	VDI3357-D-401
	200	10			45	155	—					B	VDI3357-D-402
	250	10			45	125	205					B	VDI3357-D-403
45	160	15	30	45	115	—	—	—	15	13.5	A	VDI3357-D-405	
	200	15			155	—					B	VDI3357-D-406	
	250	15			125	205					B	VDI3357-D-407	
55	160	15	35	45	115	—	—	—	20	17.5	A	VDI3357-D-411	
	200	15			155	—					B	VDI3357-D-412	
	250	15			125	205					B	VDI3357-D-413	
75	160	25	40	45	115	—	—	—	25	17.5	A	VDI3357-D-421	
	200	25			155	—					B	VDI3357-D-422	
	250	25			125	205					B	VDI3357-D-423	
100	160	25	60	45	115	—	—	—	30	17.5	A	VDI3357-D-431	
	200	25			155	—					B	VDI3357-D-432	
	250	25			125	205					C	VDI3357-D-433	
	400	25	45	125	200	275	355	C	VDI3357-D-434				
	160	30	60	45	115	—	—	—	22	17.5	A	VDI3357-D-441	
	200	30			155	—					B	VDI3357-D-442	
	250	30			125	205					B	VDI3357-D-443	
	400	30	45	125	200	275	355	C	VDI3357-D-444				




Code	W	L	T
CMTEUR -	35	160	10



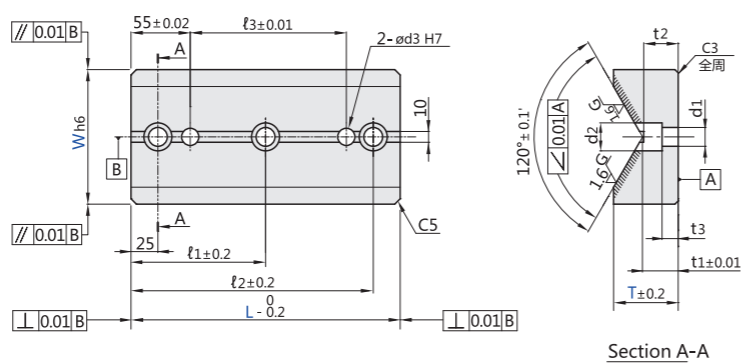
型号	W	L	T	W ₁	l ₁	l ₂	d ₁	d ₂	t	Hole type	VDI Code
CSLEUR	25	110	12	12.5	85	-	9	15	8.5	A	VDI3357 - C-301
		120			95						VDI3357 - C-302
		110	15		85		11	18			VDI3357 - C-311
		120			95						VDI3357 - C-312
	60	125	30	30	100	175	13.5	20	13	B	VDI3357 - C-321
		160			135						VDI3357 - C-322
		200	100		A						VDI3357 - C-323
		125	100								VDI3357 - C-331
		160	135								VDI3357 - C-332
		200	100								VDI3357 - C-333

Code	W	L	T
CSLEUR -	60	160	30

Code No.
CBVEUR

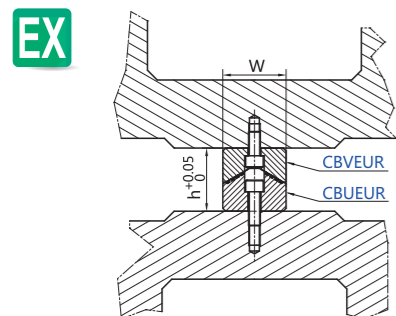


材质	硬度
GCr15	HRC55~60 ///高频淬火




Section A-A

型号	W	L	T	l ₁	l ₂	l ₃	t ₁	t ₂	t ₃	d ₁	d ₂	d ₃	螺栓孔数(N)	VDI Code
CBVEUR	65	150	35	—	125	45	18	17	8	13.5	20	12	2	VDI3357-G-701
		200		—	175	95								VDI3357-G-702
		250		125	225	145								VDI3357-G-703
	300	150	275	195	VDI3357-G-704									
	125	150	60	—	125	45	28	27	15	17.5	26	16	2	VDI3357-G-711
		200		—	175	95								VDI3357-G-712
250		125		225	145	VDI3357-G-713								
300	150	275	195	VDI3357-G-714										

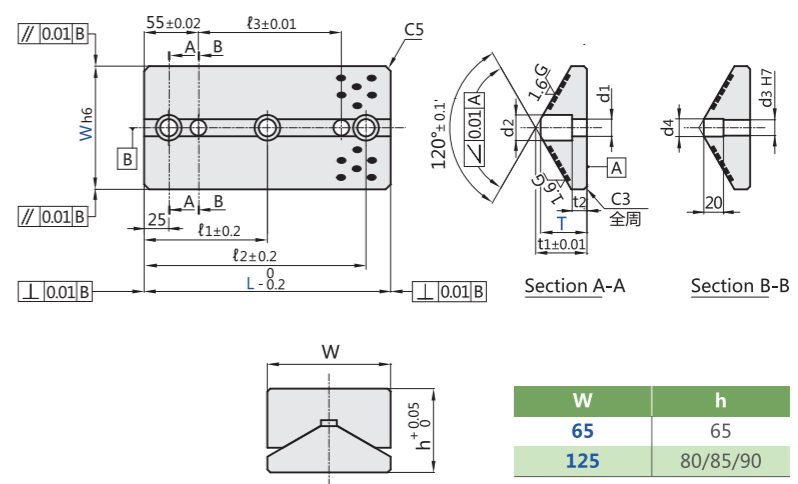


Code	W	L
CBVEUR -	65	150

Code No.
CBUEUR



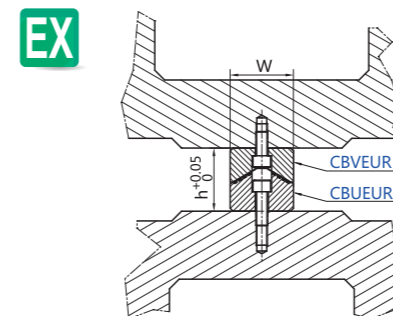
● 运动方向



Section A-A Section B-B


W	h
65	65
125	80/85/90

型号	W	L	T	l ₁	l ₂	l ₃	t ₁	t ₂	d ₁	d ₂	d ₃	d ₄	螺栓孔数(N)	VDI Code
CBUEUR	65	150	44	—	125	45	47	20	13.5	20	12	14	2	VDI3357-G-751
		200		—	175	95								VDI3357-G-752
		250		125	225	145								VDI3357-G-753
	300	150	275	195	VDI3357-G-754									
	125	150	52	—	125	45	57	15	17.5	26	16	18	2	VDI3357-G-761
		200		—	175	95								VDI3357-G-762
250		125		225	145	VDI3357-G-763								
300	150	275	195	VDI3357-G-764										



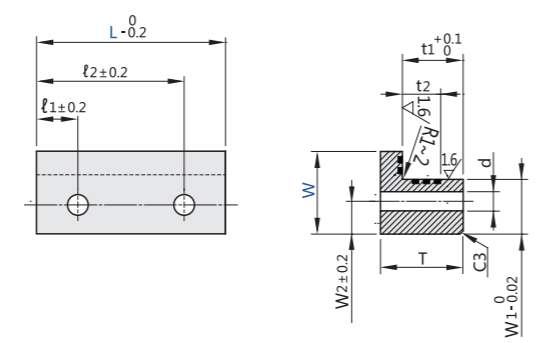
Code	W	L
CBUEUR -	65	150

Code No.
CGLEUR



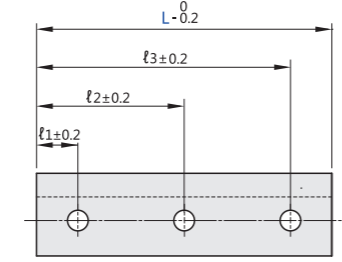
● 运动方向
↔

Hole type A

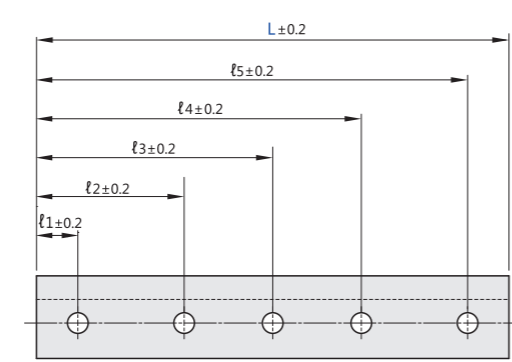


材质
铜合金+石墨

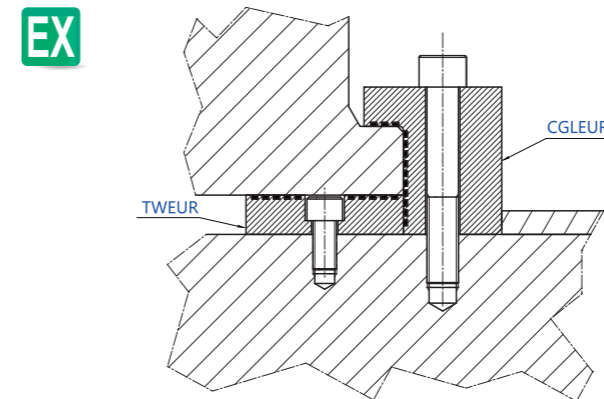
Hole type B



Hole type C

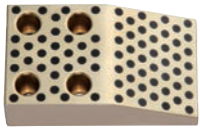


型号	W	L	W ₁	W ₂	T	t ₁	t ₂	l ₁	l ₂	l ₃	l ₄	l ₅	d	Hole type	VDI Code		
CGLEUR	55	100	37	20	55.5	39.5	23	27.5	72.5	-	-	-	13.5	A	VDI3357-F-601		
		160							132.5						VDI3357-F-602		
	70	160	50	30	75.5	55.5	35	35	125	-	-	-	17.5		VDI3357-F-611		
		200							165						VDI3357-F-612		
85	250	63	38	90.5	65.5	45	42.5	125	215	-	-	-	22	B	VDI3357-F-613		
	400							125	200					275	365	C	VDI3357-F-614
CGLEUR	55	160	37	20	55.5	39.5	23	27.5	117.5	-	-	-	13.5	A	VDI3357-F-621		
		200							157.5						VDI3357-F-622		
	70	250	50	30	75.5	55.5	35	35	125	207.5	-	-	-		22	B	VDI3357-F-623
		400							125	200						275	357.5

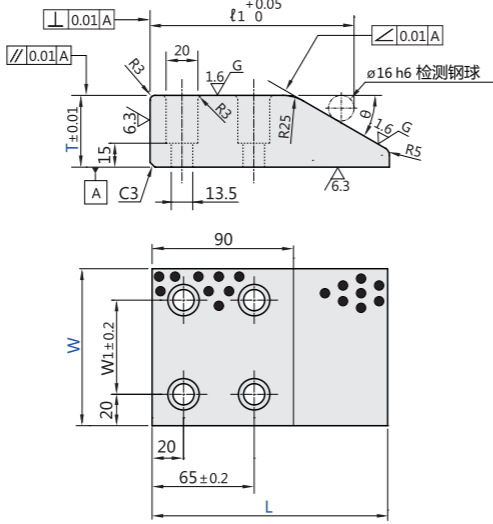


Code	W	L
CGLEUR -	55	100

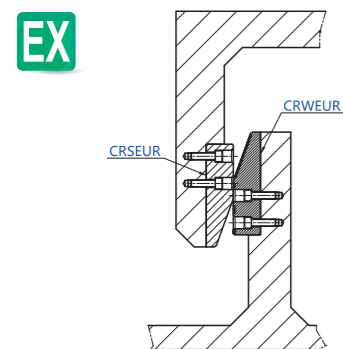
Code No.
CRWEUR



M 材质
铜合金+石墨




型号	W	L	T	θ	l ₁	W ₁	VDI Code
CRWEUR	100	170	45	20	143.37	60	VDI3357-H-801
	125					85	VDI3357-H-802
	150					110	VDI3357-H-803
	200					160	VDI3357-H-804
	100	150	45	30	127.86	60	VDI3357-H-811
	100	170	60			60	VDI3357-H-812
	125	150	45			85	VDI3357-H-813
	125	170	60			85	VDI3357-H-814
	150	150	45			110	VDI3357-H-815
	150	170	60			110	VDI3357-H-816
	200	150	45			160	VDI3357-H-817
	200	170	60			160	VDI3357-H-818



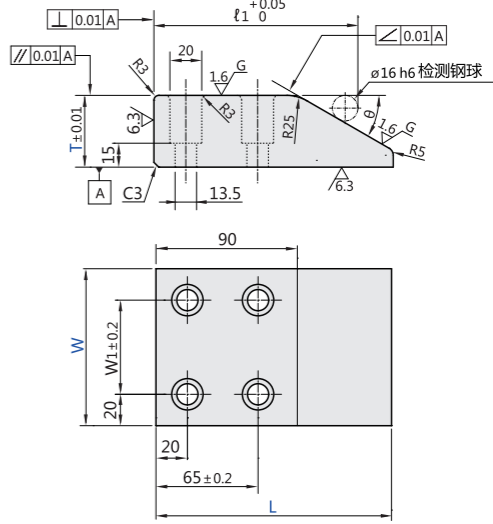
Code	W	L	T
CRWEUR -	100	170	45

Code No.
CRSEUR

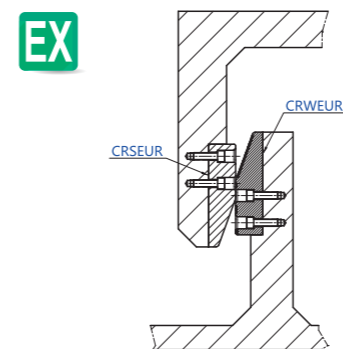


M 材质
GCr15

H 硬度
HRC58-62
表面高频淬火



型号	W	L	T	θ	l ₁	W ₁	VDI Code
CRSEUR	100	170	45	20	143.37	60	VDI3357-H-841
	125					85	VDI3357-H-842
	150					110	VDI3357-H-843
	200					160	VDI3357-H-844
	100	150	45	30	127.86	60	VDI3357-H-851
	100	170	60			60	VDI3357-H-852
	125	150	45			85	VDI3357-H-853
	125	170	60			85	VDI3357-H-854
	150	150	45			110	VDI3357-H-855
	150	170	60			110	VDI3357-H-856
	200	150	45			160	VDI3357-H-857
	200	170	60			160	VDI3357-H-858



Code	W	L	T
CRSEUR -	100	170	45